

Order Information concerning Spare Parts List

When placing orders for Spare Parts, please give only the order numbers listed in the spare parts list.

The order number can refer to 1 piece or 1 repair set, (multiple quantity).

The minimum order quantity for each order number must correspond with the packed quantity or multiples of the packing quantity.

Examples:

1. An customer orders 10 pieces

Quantity delivered 1 package with 10 pieces V04711

Price charged 10 * V04711 at 0,90 EUR each, total price = 9,00 EUR

(minimum price)

2. A customer orders 3 pieces

When booking the order in the EDP, the order quantity is automatically increased to 10 pieces.

Order quantity and price charged, see para. 1.

3. A customer orders 16 pieces

When booking the order, the order quantity is automatically increased to the next higher packing quantity - 20 pieces.

Quantity delivered 2 packages with 10 * V04711 each

Price charged 20 * V04711 at 0,90 EUR each, total price = 18,-- EUR

A repair-exchange (RE) is normally only carried out, if a repairable part has been returned by the customer. At customer's request Dräger however, Dräger will charge the list price for the new part if customer's old part is not received within a period of 3 calendar weeks.

Information concerning the handling of spare parts sets in case of repair:

For technical reasons, it is always necessary to exchange complete sets. Only in this way, the correct functioning of the repaired device can be ensured.

Subject to change without

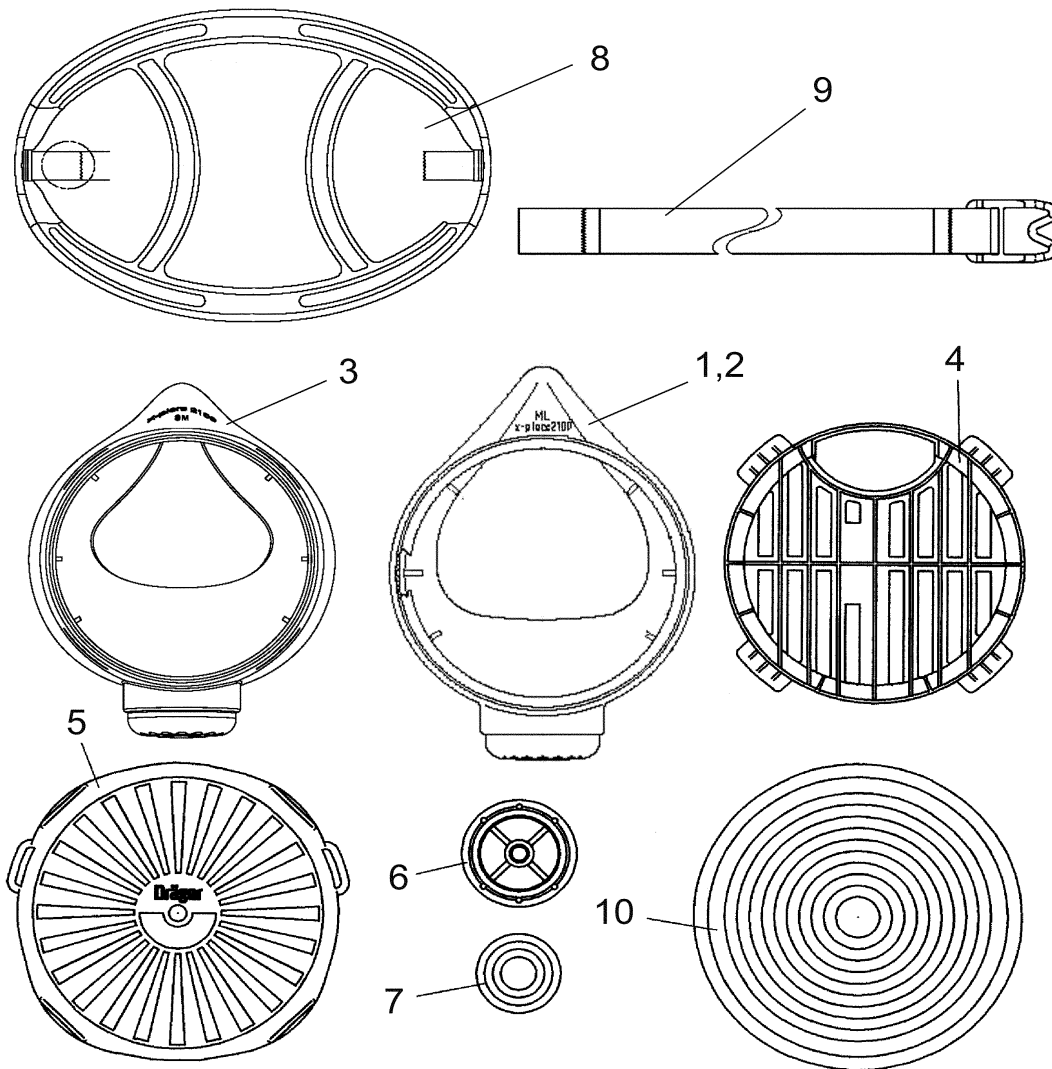
Spare Part List
Dräger X-plore 2100

Edition date
10.03.2006

Spare Part List
1471.250

R55881, R55882, R55883, R55910, R55915

Page: 2
Image: 1



Subject to change without

Spare Part List
Dräger X-plore 2100

Edition date
10.03.2006

Spare Part List
1471.250

R55881, R55882, R55883, R55910, R55915

Page: 3
Image: 1

POSITION	DESIGNATION	PART- NUMMER	ORDER CODE	PACK. QTY.
1,4-9	X-PLORE 2100 EPDM, (UNIVERSAL)		R55881	
2,4-9	X-PLORE 2100 Silicone, M/L		R55882	
3-9	X-PLORE 2100 SILICONE (S/M) (Picco 20)		R55883	
1,4-10	X-plore 2100 (EPDM) + 5 Filter		R55910	
2,4-10	X-plore 2100 (SI) + 5 filter		R55915	
1	MASK BODY ML / EPDM	R53172		
2	MASK BODY ML / SI	R53171		
3	MASK BODY SM / SI	R54729		
4	FILTERBASKET		R53141	
5	COVER		R53140	
6	VALVE SEAT		R52510	10
7	EXHALATION VALVE DISC		R52541	5
8	CRADLE		R54225	
9	FABRIC RIBBON WITH HOOK		R55218	
10	882 FMP3 D/P3/P100		6736777	25